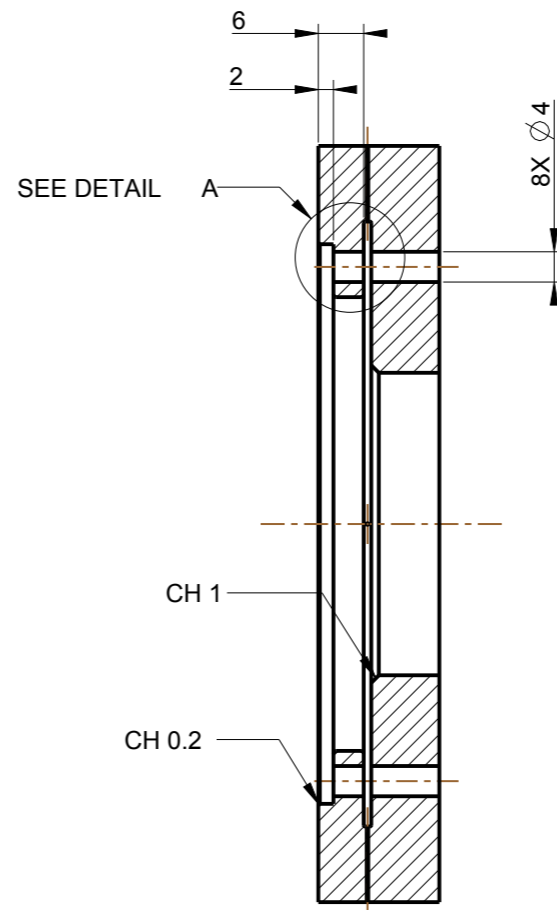
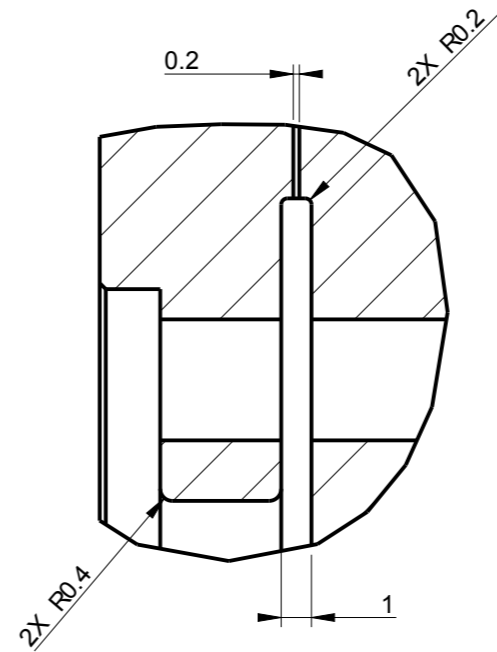


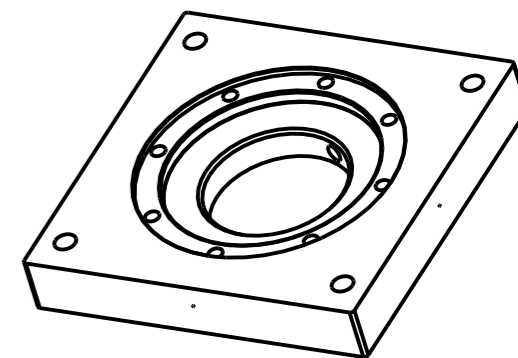
SECTION C-C



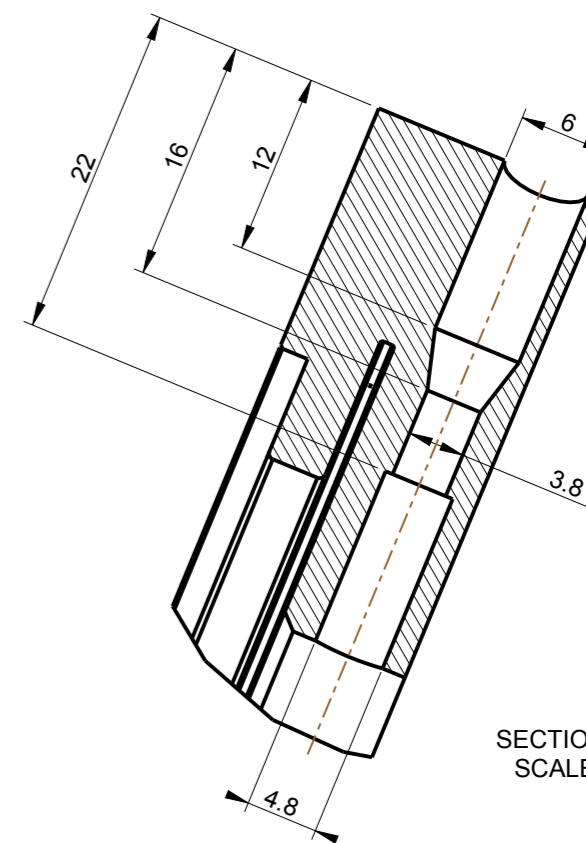
SECTION A-A



DETAIL A
SCALE 4:1



REFERENCE ISOMETRIC VIEW
SCALE 1:2



SECTION B-B
SCALE 2:1

[Click here for help topics](#)

REFERENCE ONLY
 WWW.BEYONDMECH.COM